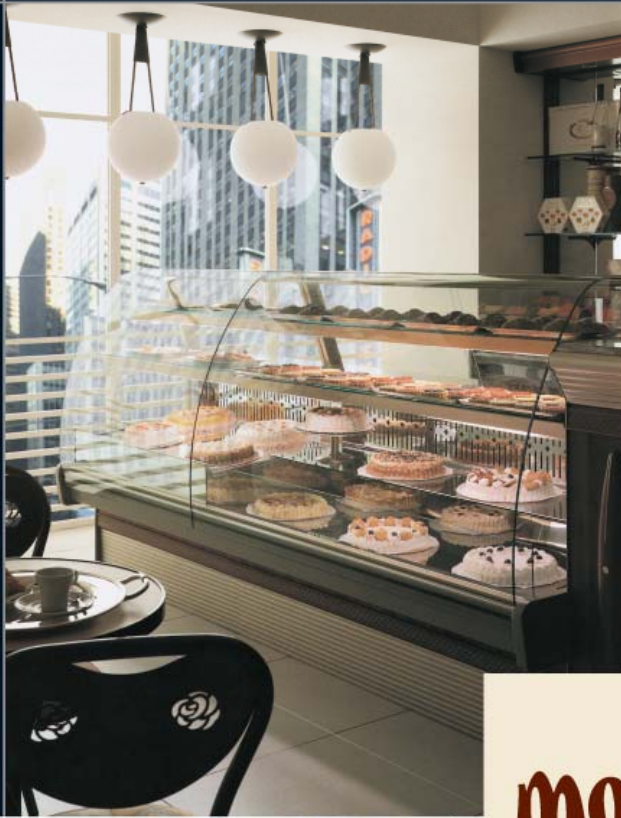


# MOKA . PASTRY

▼ SHOWN 100SC UNIT WITH RAISED PLATFORM (LEFT) JOINED TOGETHER WITH 150SC UNIT (RIGHT) WITH STANDARD PULL-OUT DRAWER (SHOWN BELOW)



BEAUTIFUL AND FUNCTIONAL MOKA PASTRY CABINETS ARE SOLD SEPARATELY, OR MAY BE JOINED TOGETHER WITH STRAIGHT UNITS OR OUTSIDE CORNERS. THE UNITS ARE ALSO AN INTEGRAL PART OF SIFA'S FULL RANGE OF BAR COUNTERS



◀ LIFT-UP TEMPERED FRONT GLASS WITH HOLD-OPEN PISTONS

## MOKA

LINEA BAR

PASTRY

▶ REMOVABLE, STAINLESS STEEL DISPLAY LEVEL DRAWER. MIRROR-BRIGHT STAINLESS STEEL INTERIOR IS STANDARD



▲ THE PASTRY CABINETS ARE SEEN COMPLIMENTED WITH "MOKA" LINE BAR COUNTERS ▼

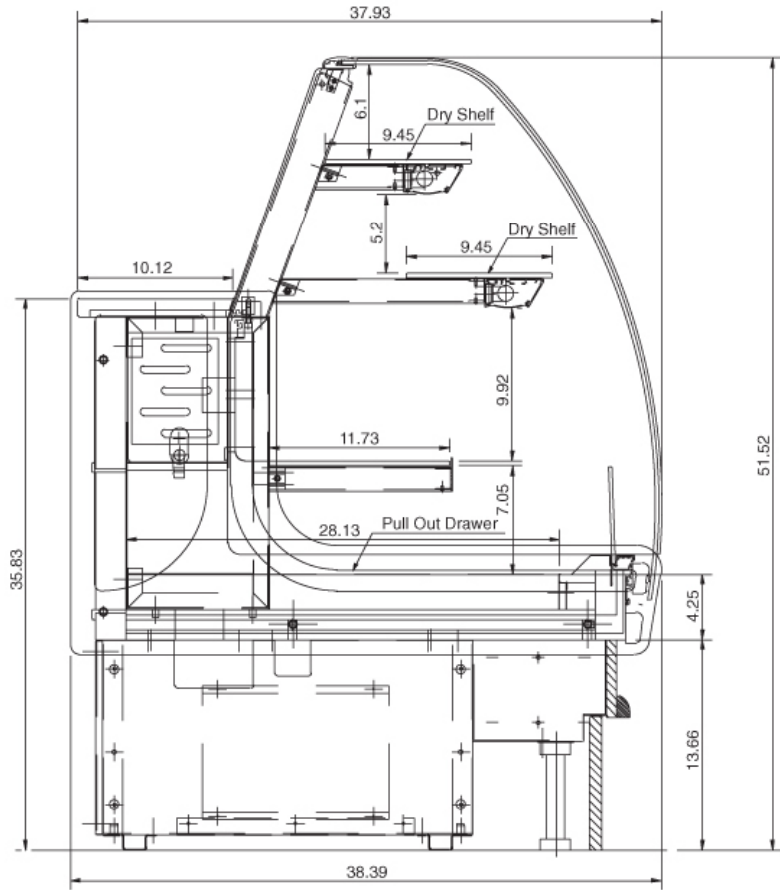


▲ VIEW OF A COMPLETE "MOKA" COMPOSITION IN IVORY / WALNUT COMBINATION. BAR COUNTER AND BACK COUNTER TOPS IN GUATEMALA GREEN MARBLE



STANDARD





**PASTRY CASE WITH TWO REFRIGERATED LEVELS, ONE OF WHICH IS A PULL-OUT DRAWER. INCLUDES 10" STAINLESS STEEL CUTTING BOARD.**

TEMPERATURE RANGE: 38°F- 43°F

REFRIGERATION: GRAVITY COIL REFRIGERATION SYSTEM WILL NOT DRY OUT DELICATE PASTRIES. CONDENSING UNIT PROVIDED.

SHELVES: TWO NON-REFRIGERATED GLASS SHELVES ON TOP, TWO REFRIGERATED LEVELS, ONE OF WHICH IS A PULL-OUT DRAWER.

ELECTRIC: 208-230V / 60HZ SINGLE PHASE, 6FT CORD PROVIDED.

GAS: R-404A

DRAINS: CONDENSATE PAN PROVIDED. NO PLUMBING CONNECTIONS ARE NECESSARY

FRONT GLASS: TEMPERED, LIFT-UP FRONT GLASS WITH HOLD-OPEN PISTONS

MODELS	LENGTH*	DEPTH	HEIGHT	AMPS	HP
100 SC	39.5"	38.5"	51.5"	2.1	1/4
150 SC	59"	38.5"	51.5"	3.5	1/3
200 SC	79"	38.5"	51.5"	4	1/2
OUTSIDE CORNER "B"	56"	56"	51.5"	1	N/A

\*ADD 1 1/2" FOR EACH END PANEL.

OUTSIDE CORNER MUST BE ORDERED JOINED TOGETHER WITH STRAIGHT UNIT.



S&V RESTAURANT EQUIP. MFG. CORP  
 4320 Park Avenue, Bronx, NY 10457  
 T. (718) 220-1140 • F. (718) 563-3310  
 www.customcool.com